

PEAK[®]

<http://www.peaklift.cn>



LIFTS FOR THE WORLD AT
COMPETITIVE PRICES



PEAK CORPORATION



PEAK a manufacturing plant located in Foshan (near Guangzhou, China) has over 17 years experience in the design, manufacture and global distribution of an extensive line of quality automotive lifts including 2-post, 4-post, scissors and portable lifts.

PEAK designs its products to include features for today's demanding markets. Some of the technical innovations include our Super-symmetric, single-point safety release systems (two locks, one release), 2-dual synchronous cylinders, hydraulic lock scissors lift and many more!

At **PEAK** we pay strict attention to product design, manufacturing, testing and after sales support. The parts we choose are on the principle of the best, such as high quality cylinders designed and manufactured on ANSI standard, Self-lubricated sliders, bronze bush, Aero-cables, Certified with UL, CSA or CE power units, powder coating and strictly heat treatment technology, and so on.

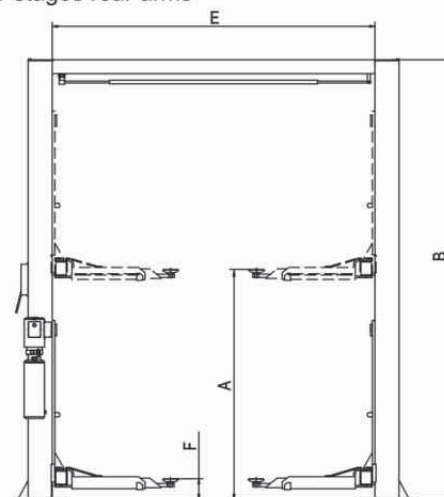
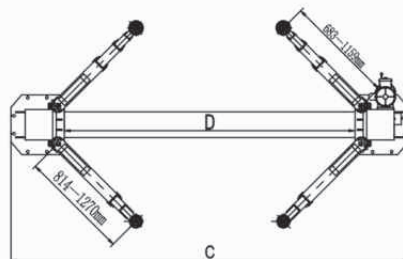
PEAK employs certified welders and professional engineers to follow a strict quality control process to meet many of the world's certification requirements.

**EVERY PEAK LIFT IS FOR THE CUSTOMERS WHO NEED
GOOD QUALITY PRODUCTS AT COMPETITIVE PRICE !**



FEATURES

- 9,000 Lb. Capacity
- Dual hydraulic cylinders, designed and made on ANSI standard, high quality NOK seals.
- 5/16" aircraft quality cable is used for synchronization
- **Supersymmetric** arms design with three-stages front arms and two-stages rear arms
- Self-lubricating UHMW Polyethylene sliders and bronze bush
- Single-point safety release, and dual safety design
- Clearfloor design, provide unobstructed floor space
- Overhead safety shutoff device
- Stackable rubber pad with 1.5" and 2.5" extension adapters
- Automatic arms restraints
- Hydraulic power unit



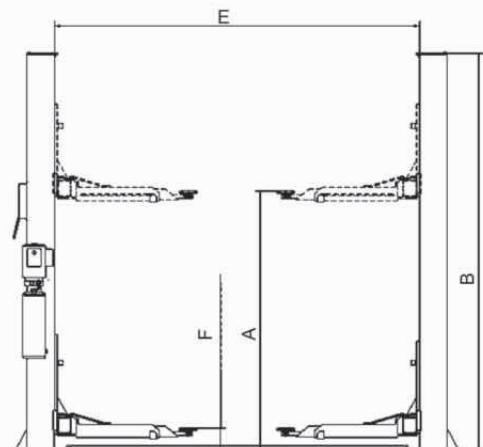
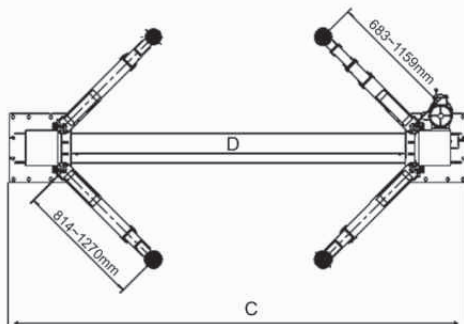
MODEL 208

Floorplate Chain-driven Two-post Lift



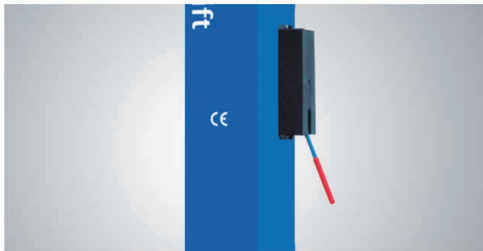
FEATURES

- 8,000 Lb. Capacity
- Dual hydraulic cylinders, designed and made on ANSI standard, high quality NOK seals
- 5/16" aircraft quality cable is used for synchronization
- Self-lubricating UHMW Polyethylene sliders and bronze bush
- **Exclusive feature:** single-point safety release by handle
- **Supersymmetric** arms design with three-stages front arms and two-stages rear arms
- Stackable rubber pad with 1.5" and 2.5" extension adapters
- Automatic arms restraints
- Hydraulic power unit



COMPACT LINE OF TWO POST LIFTS

PEAK compact line model 208 and 208C are made on PEAK high quality manufacturing standard with some advanced features like supersymmetric arms, single-point safety release, etc., but with competitive price !



EXCLUSIVE FEATURE!

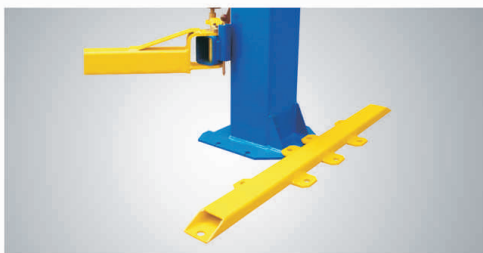
Single Point Lock Release Lever. This Lever Release Locking Mechanisms In Both Columns From One Column



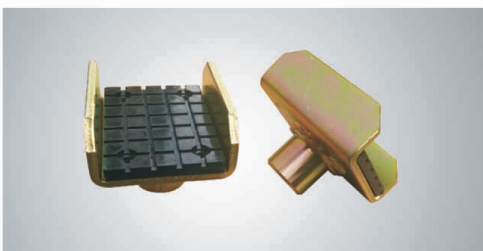
The stackable rubber pad assembly with 1.5" , 2.5" extension adapters



Super symmetric arms allow you load vehicles in an asymmetric or symmetric configuration. Extremely high carriages, Automatic arms restraints, Protect rubber door guards, Self-lubricated sliders... make PEAK compact line of two post lifts with many advanced features and high quality.



The Optional Base Plate Extension Kits No.20801 PEAK keep working to find solution on automotive service business... with the optional base plate extension kit, the lifts can be work stable on almost all the base of the shop...



Saddle adapter

SPECIFICATIONS

Model	Style	Lifting Capacity	Lifting Time	A	B	C	D	E	F	Gross Weight	Motor
				Lifting Height	Overall Height	Overall Width	Drive-Thru Clearance	Width Between Columns	Minimum Pad Height		
208C	Clearfloor Chain-driven	4.0T (9,000 lbs.)	45 Seconds	1815-1917mm (71 1/2" - 75 1/2")	3602mm (141 3/4")	3390mm (133 1/2")	2554mm (100 1/2")	2780mm (109 1/2")	90mm (3 1/2")	630kg (1,388 lbs)	3.0HP
208	Floorplate Chain-driven	3.5 T (8,000 lbs.)	45 Seconds	1815-1917mm (71 1/2" - 75 1/2")	2850mm (112 1/4")	3390mm (133 1/2")	2554mm (100 1/2")	2780mm (109 1/2")	90mm (3 1/2")	579kg (1,276 lbs)	3.0HP



MODEL 209

Base Plate Chain/Over Half Cylinder



Single-Point Safety Release

Peak is proud to introduce a revolutionary designed manual single-point safety release system for their new 9,000 lbs. base plate lift. The super single-point manual release allows the operator to unlock both column locks from one column. Many manufacturers incorporate electro-mechanical lock release systems that are complicated and unreliable.

A manual single-point lock release system provides a mechanically proven system that will perform flawlessly for many years.

INNOVATION: Peak introduces a revolutionary double lock system installed in both lift columns.

This new lock system incorporates two locking mechanisms for added safety. The double lock system is automatically activated as the lift is raised. When the vehicle reaches the desired height, the lift is lowered into the next lowest locking position. When the vehicle is ready to be lowered to the ground, the double lock system is disengaged by pulling a handle located near the power unit. There is no need for the operator to go to both columns and manually unlock both column locks. All lifting and lowering operations are controlled from one column post. Double safety locks built into each column operated by one release level make the Peak 209,209X base plate lift the safest and easiest to operate base plate lift in the industry. **Two locks... one release.... available only from PEAK!**



The Peak 209 and 209X is a base-plate two-post lift designed for the low ceiling garages. Total column height of 108" (for 209), 111-3/4" (for 209X) allows these lifts to be installed in almost any professional or home garage.

The Peak 209 and 209X shares the same innovative technology super symmetric arm configuration as many other members of the Peak lifts.

The Peak 209 and 209X includes 2-stage rear arms and 3-stage front arms. Stackable rubber pad with truck adapters. The Peak 209 and 209X incorporated an innovative standard manual single-point safety release, automatic arm restraints, powder coat finish, heavy-duty chain mounted over dual reliable hydraulic cylinders (The 209X is stronger, wider and higher model than 209 in construction.)

ADVANCE LINE OF TWO POST LIFTS

If you're a customer need high quality products and advanced features, our advance line of two post lifts is your choice !

FEATURES

- 9,000 Lb. Capacity
- Dual hydraulic chain-driven cylinders manufactured on ANSI standards
- Aircraft quality cable is used for synchronization
- Self-lubricating UHMW Polyethylene sliders and bronze bushings
- Single-point safety release allows technician to easily release both column locks from one column
- Automatic arm restraints
- Stackable rubber pads



EXCLUSIVE FEATURE !

Two Locks, One Release, Only Available By PEAK



Super symmetric arms allow you load vehicles in an asymmetric or symmetric configuration
Automatic arms restraints, Protect rubber door guards, Self-lubricated sliders... make PEAK Advance line of two post lifts work reliable.

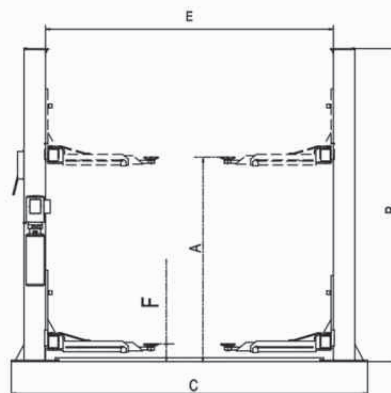
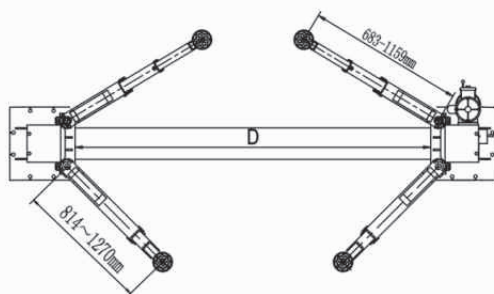


EXCLUSIVE FEATURE !

The stackable rubber pad assembly with 1.5", 2.5" extension adapters



The Optional Base Plate Extension Kits No.20801
With extension frame and 14pcs of anchor bolts



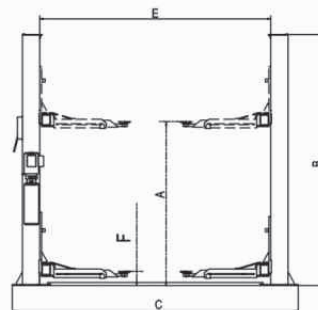
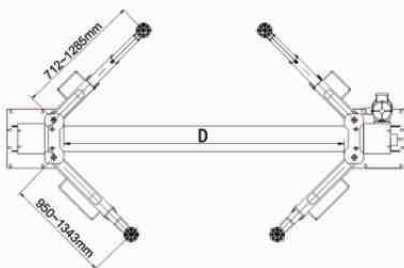
MODEL 209X

Plate Chain-Driven Cylinder Lift



FEATURES

- 9,000 Lb. Capacity
- Dual hydraulic chain-drive cylinders manufactured on ANSI standard
- 3/8" aircraft quality cable is used for synchronization
- Self-lubricating UHMW Polyethylene sliders and bronze bushings
- Single-point safety release allows technician to easily release both column locks from one column
- Automatic arm restraints
- Stackable rubber pad with 1.5", 2.5" and 5" extension adapters



ADVANCE LINE OF TWO POST LIFTS

If you're a customer need high quality products and advanced features, our advance line of two post lifts is your choice !



EXCLUSIVE FEATURE !

Two Locks, One Release, Only Available By PEAK



Super symmetric arms allow you load vehicles in an asymmetric or symmetric configuration
Automatic arms restraints, Protect rubber door guards, Self-lubricated sliders... make PEAK Advance line of two post lifts work reliable.



EXCLUSIVE FEATURE !

The stackable rubber pad assembly with 1.5", 2.5", 5" extension adapters



The Optional Base Plate Extension Kits No.20903 With extension frame and 14pcs of anchor bolts

SPECIFICATIONS

Model	Style	Lifting Capacity	Lifting Time	A	B	C	D	E	F	Gross Weight	Motor
				Lifting Height	Overall Height	Overall Width	Drive-Thru Clearance	Width Between Columns	Minimum Pad Height		
209	Floorplate Chain-driven	4.0 T (9,000 lbs.)	45 Seconds	1815-1917mm (71 1/2" - 75 1/2")	2742mm (108")	3350mm (132")	2513mm (99")	2780mm (109 1/2")	90mm (3 1/2")	620Kg (1,366 lbs)	3.0HP
209X	Floorplate Chain-driven	4.0 T (9,000 lbs.)	49 Seconds	1940-2169mm (76 3/8" - 85 3/8")	2841mm (111 3/4")	3460mm (136 1/4")	2560mm (100 3/4")	2850mm (112 1/4")	90mm (3 1/2")	706Kg (1,556 lbs)	3.0HP

MODEL 209C 209CH

Super symmetric Two-Post Lift

The 209CH share the same features as 209C but with higher columns.



Super Symmetric Arms

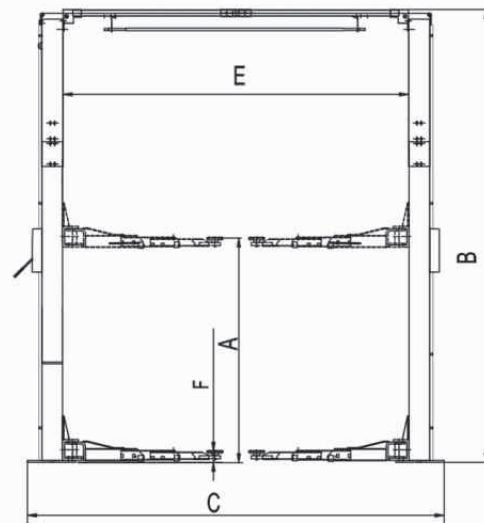
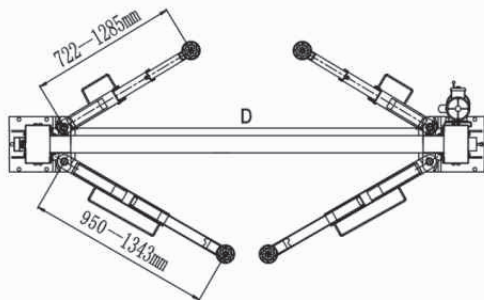


The **209C 209CH** features our innovative super symmetric technology providing technicians the versatility to lift vehicles both symmetrically and asymmetrically upon demand.

With standard features that include adjustable height, direct drive, powder coat finish, stackable rubber pads and many other appealing features, the 209C 209CH accommodates the most demanding lift requirements.

FEATURES

- Supersymmetric arms increase overall arm sweep and minimum arm reach to precisely lift vehicles:
 - » Asymmetric or Symmetric lifting in the same service bay
 - » Visually marked pick-up points on the vehicle.
 - » Uni-body design vehicles
 - » Wider and low profile vehicles
 - » Both short and long wheel bases
- Dual hydraulic direct-driven cylinders made on ANSI standard
- 3/8" aircraft quality cable is used for synchronization
- Single-point safety release, allow technician to disengage both column simultaneously
- Self-lubricating UHMW Polyethylene sliders and bronze bush
- Clear-floor design, provide unobstructed floor use
- Overhead safety shut-off device prevents vehicle damage
- Stackable rubber pads and 1.5", 2.5", 5" adapters as standard supply
- Standard adjustable heights accommodates varying ceiling heights
- Standard door guards
- Standard toe guards on lifting arms
- Optional adjustable widths accommodate varying service bay sizes
- Hydraulic power unit



SPECIFICATIONS

Model	Style	Lifting Capacity	Lifting Time	A	B	C	D	E	F	Gross Weight	Motor
				Lifting Height	Overall Height	Overall Width	Drive-Thru Clearance	Width Between Columns	Minimum Pad Height		
209C	Clearfloor Direct-driven	4.0T (9,000 lbs.)	52 Seconds	1815-2044mm (71 1/2" - 80 1/2")	3621 / 3821mm (142 1/2" / 150 1/2")	3428 mm (135")	2528 mm (99 1/2")	2850 mm (112 1/4")	90 mm (3 1/2")	677Kg (1,493 lbs)	3.0HP
209CH	Clearfloor Direct-driven	4.0T (9,000 lbs.)	52 Seconds	1815-2044mm (71 1/2" - 80 1/2")	4231 / 4431mm (166 1/2" / 174 1/2")	3428 mm (135")	2528 mm (99 1/2")	2850 mm (112 1/4")	90 mm (3 1/2")	701Kg (1,545lbs)	3.0HP

MODEL 209C 209CH

Clearfloor Direct-driven Two-post Lift

ADVANCE LINE OF TWO POST LIFTS

Model 209C, 209CH is our another one of advance line two post lift ... Clear floor, more flexible with width and high adjustment, advance features.



- ▲ **Single-Point Safety Release**
The Single-point safety release makes it easy for the operator to unlock both columns locks from one column, and more reliable !



- ▲ **Hydraulic Direct-driven Cylinders**
The hydraulic direct-driven cylinders feature more efficient, more longevity, more reliable and almost no service needed.



- ▲ **Super symmetric arms** allow you to load vehicles in an asymmetric or symmetric configuration. Automatic arms restraints, Protect rubber door guards, Self-lubricated sliders... make PEAK Advance line of two post lifts work excellent !



- ▲ **EXCLUSIVE FEATURE !**
Optional Width Extension Kits
With these kits the width between posts is adjusted from 2850mm(112-1/4") to 3000mm (118-1/8")



- ▲ **The stackable rubber pads assembly** with 1.5", 2.5", 5" extension adapters



- ▲ **Exclusive Feature**
Optional Hight Extension Kits
With these kits the overall height is adjusted from 3821mm(150 1/2") to 4431mm(174 1/2") ,only 209C.

MODEL BPI0000X

Floorplate Chain-driven Two-Post Lift

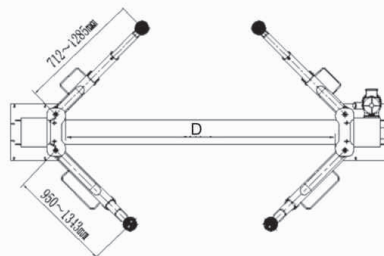
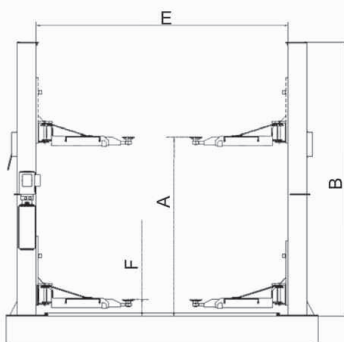


PEAK[®] Lift



FEATURES

- 10,000 Lb. Capacity
- Dual hydraulic chain-drive cylinders manufactured on ANSI standard
- 3/8" aircraft quality cables is used for synchronization
- Self-lubricating UHMW Polyethylene sliders and bronze bushings
- Single-point safety release allows technician to easily release both column locks from one column
- Double Lock System
- Welded Support Gussets Increase Column Strength.
- Automatic arm restraints
- Stackable rubber pad with 1.5", 2.5" and 5" extension adapters

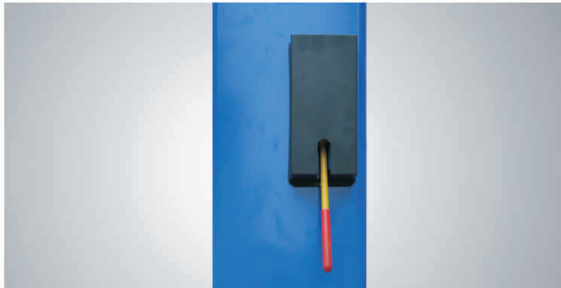


MODEL BPI0000X

Floorplate Chain-driven Two-Post Lift

ADVANCE LINE OF TWO POST LIFTS

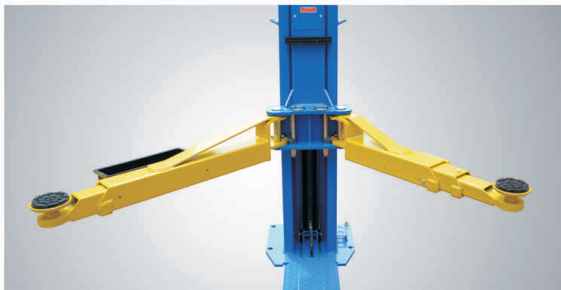
Model 209C, 209CH is our another one of advance line two post lift ... Clear floor, more flexible with width and high adjustment, advance features.



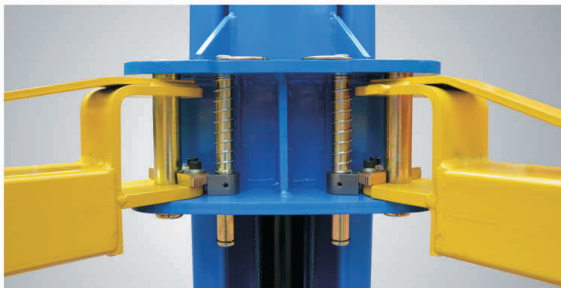
▶ Single Point Lock Release Lever. This Lever Release Locking Mechanisms In Both Columns From One Column



▶ Two Locks, One Release, Only Available By PEAK



▶ Super symmetric arms allow you to load vehicles in an asymmetric or symmetric configuration. Automatic arms restraints, Protect rubber door guards, Self-lubricated sliders... make PEAK Advance line of two post lifts work excellent !



▶ Automatic arm restraints



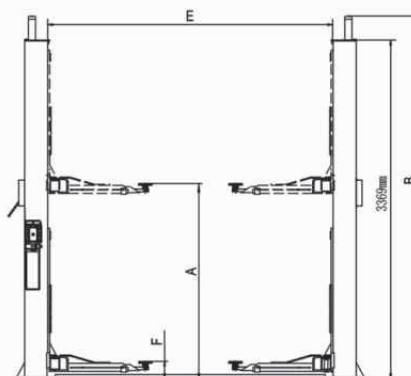
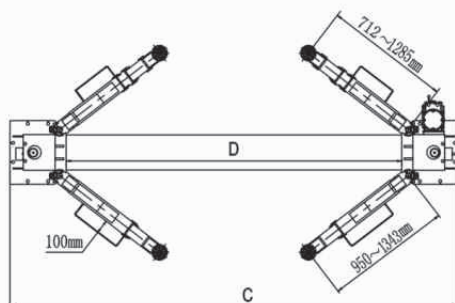
▶ **EXCLUSIVE FEATURE !**

The stackable rubber pad assembly with 1.5", 2.5", 5" extension adapters



FEATURES

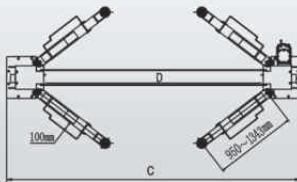
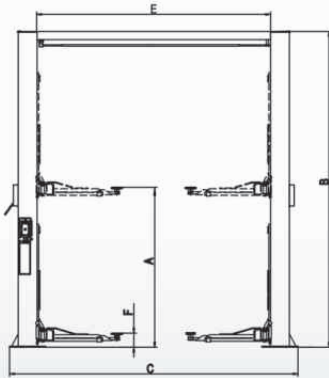
- 10,000 Lb. Capacity
- Dual hydraulic direct-driven cylinders, designed and made on ANSI standard, high quality NOK seals
- 3/8" aircraft quality cable is used for synchronization
- Self-lubricating UHMW Polyethylene sliders and bronze bush
- Single-point safety release, and dual safety design
- Supersymmetric arms design, make lifts easily find the lift point of the car
- Automatic arms restraints
- Stackable adapters 1.5", 2.5", 5" as standard
- Hydraulic power unit



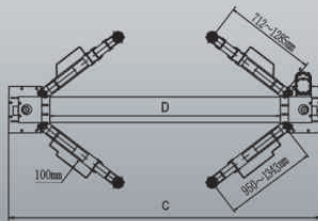
MODEL 210C 210CX

Clearfloor Direct-driven Two-post Lift

The Extremely Wide Model 210CX !



(210CX)



(210C)



FEATURES

- 10,000 Lb. Capacity
- Dual hydraulic direct-driven cylinders made on ANSI standard, high quality NOK seals
- 3/8" aircraft quality cable is used for synchronization
- Self-lubricating UHMW Polyethylene sliders and bronze bush
- Single-point safety release, and dual safety design
- Clearfloor design, provide unobstructed floor space
- Overhead safety shut-off device
- Supersymmetric arms design, make lifts easily find the lift point of the car
- Automatic arms restraints
- Stackable adapters 1.5", 2.5", 5" as standard
- Hydraulic power unit

PROFESSIONAL LINE OF TWO POST LIFTS

How to make a perfect products ? It is our dream and goal day by day, year by year... With extremely long carriages, direct- driven hydraulic system, strong and simplified design, PEAK professional line two post lifts model 210, 210C and 210CX are expected to be more longevity, more reliable and less service.



▶ Single Point Lock Release Lever . This Lever Release Locking Mechanisms In Both Columns From One Column



▶ **EXCLUSIVE FEATURE !**

Super symmetric arms allow you load vehicles in an asymmetric or symmetric configuration. Extremely high carriages, Automatic arms restraints, Protect rubber door guards, Self-lubricated sliders...make PEAK professional line of two post lifts work more reliable and almost no service.



▶ Hydraulic Direct-driven Cylinder



▶ The stackable rubber pads assembly with 1.5", 2.5", 5" extension adapters

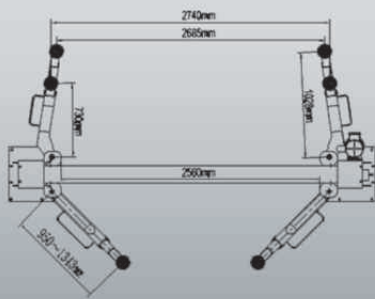
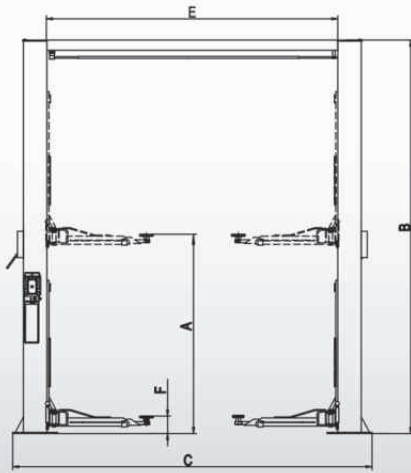
SPECIFICATIONS

Model	Style	Lifting Capacity	Lifting Time	A	B	C	D	E	F	Gross Weight	Motor
				Lifting Height	Overall Height	Overall Width	Drive-Thru Clearance	Width Between Columns	Minimum Pad Height		
210	Floorplate Direct-driven	4.5 T (10,000 lbs.)	60 Seconds	1940-2169mm (76 3/8" - 85 3/8")	3604 mm (141 7/8")	3516 mm (138 3/8")	2560mm (100 3/4")	2850 mm (112 1/4")	115mm (4 1/8")	774 Kg (1,706 lbs)	3.0HP
210C	Clearfloor Direct-driven	4.5 T (10,000 lbs.)	60 Seconds	1940-2169mm (76 3/8"-85 3/8")	3854 mm (151 3/4")	3516 mm (138 3/8")	2560mm (100 3/4")	2850 mm (112 1/4")	115mm (4 1/8")	762Kg (1,679 lbs)	3.0HP
210CX	Clearfloor Direct-driven	4.5 T (10,000 lbs.)	60 Seconds	1940-2169mm (76 3/8"-85 3/8")	3854 mm (151 3/4")	3666 mm (144 3/8")	2710mm (106 3/4")	3000 mm (118 1/8")	115mm (4 1/8")	764Kg (1,684 lbs)	3.0HP
210SAC	Clearfloor Direct-driven	4.5 T (10,000 lbs.)	60 Seconds	1940-2169mm (76 3/8"-85 3/8")	3854 mm (151 3/4")	3516mm (138 3/8")	2560mm (100 3/4")	2850mm (112 1/4")	115mm (4 1/8")	750Kg (1,653 lbs)	3.0HP

MODEL 210SAC

Super Asymmetric Direct-driven Two-post Lift

Our Super asymmetric lift 210SAC share the same advantages of our professional line of two post lifts plus asymmetric design feature.



FEATURES

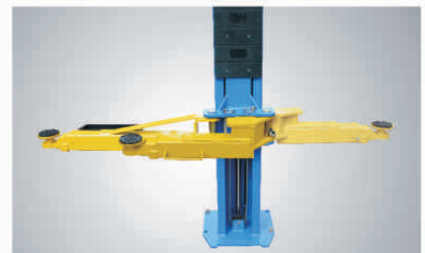
- 10,000 Lb. Capacity
- Dual hydraulic cylinders, designed and made on ANSI standard, high quality NOK seals.
- 3/8" aircraft quality cable is used for synchronization
- Self-lubricating UHMW Polyethylene sliders and bronze bush
- Single-point safety release, and dual safety design
- Clearfloor design, provide unobstructed floor space
- Overhead safety shut-off device
- Both Symmetric and Asymmetric arms configuration
- Automatic arms restraints
- Stackable adapters 1.5", 2.5", 5" as standard



▲ Single-point safety release



▲ Direct-driven hydraulic cylinders



▲ Super Asymmetric arms configuration, fit wider range of vehicles

MODEL 211C 211CH

Clearfloor Direct-driven Two-post Lift



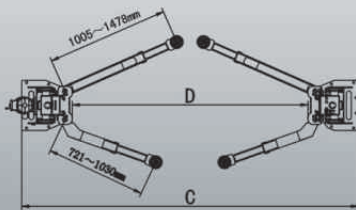
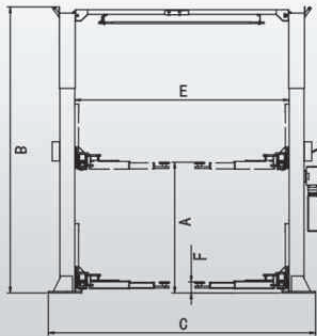
PEAK[®] Lift



211C and 211CH are the heavy-duty two post lifts with high setting by extension columns.

211CH is higher than 211C by using higher extension columns.

The special low setting height at 3812mm for 211CH need to use the optional short cable.

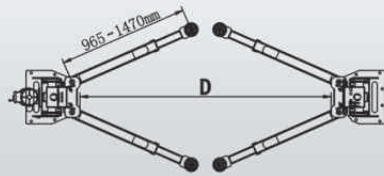
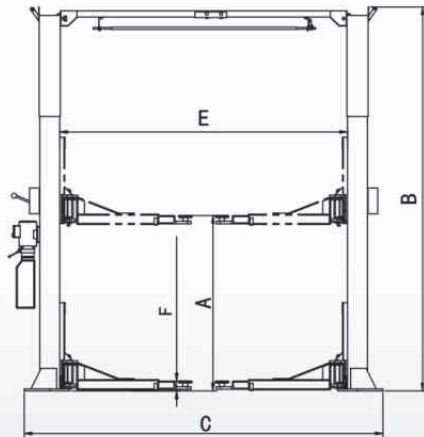


FEATURES

- 11,000 Lb. Capacity
- Dual hydraulic direct-driven cylinders, designed and made on ANSI standard, high quality NOK seals
- 3/8" aircraft quality cable is used for synchronization
- Self-lubricating UHMW Polyethylene sliders and bronze bush
- Single-point safety release
- Clearfloor design, provide unobstructed floor space
- Overhead safety shut-off device
- Both Symmetric and Asymmetric arms configuration
- Automatic arms restraints
- Adjustable height setting accommodate varying service ceiling heights
- Stackable rubber pads with 1.5", 2.5" and 5" adapters for truck
- Hydraulic power unit

MODEL 212C

Clearfloor Direct-driven Two-post Lift

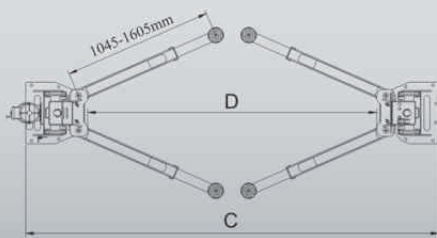
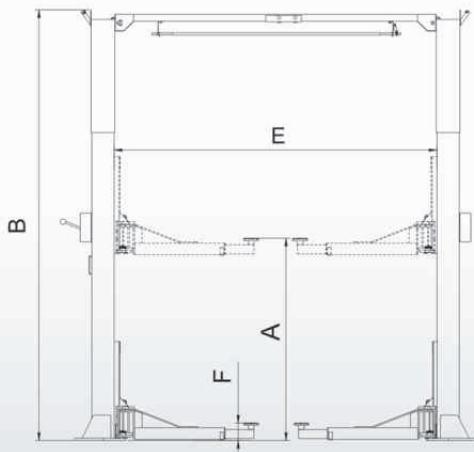


FEATURES

- 12,000 Lb. Capacity
- Dual hydraulic direct-driven cylinders, designed and made on ANSI standard, high quality NOK seals
- 3/8" aircraft quality cable is used for synchronization
- Self-lubricating UHMW Polyethylene sliders and bronze bush
- Single-point safety release
- Clearfloor design, provide unobstructed floor space
- Overhead safety shut-off device
- Adjustable three height setting accommodate varying service ceiling heights (The special low setting height 150" need to choose the optional short cables)
- Automatic arms restraints



▲ 4.0 HP Power Unit For 212C 215C



FEATURES

- 15,000 Lb. Capacity
- Dual hydraulic direct-driven cylinders, designed and made on ANSI standard, utilizing NOK oil seal for cylinder
- 3/8" aircraft quality cable is used for synchronization
- Self-lubricating UHMW Polyethylene sliders and bronze bush
- Single-point safety release
- Clearfloor design, provide unobstructed floor space
- Overhead safety shut-off device
- Adjustable three height setting accommodate varying service ceiling heights (The special low setting height 150" need to choose the optional short cables)
- Automatic arms restraints
- Hydraulic power unit



- ▲ The Optional Base Plate Kits No.21501, Including extension frames , and 14 pcs of our standard Anchor Bolts

MODEL 211C 211CH 212C 215C

HEAVY-DUTY LINE OF TWO POST LIFTS

Peak heavy-duty line of two post lifts model 211C、211CH、212C and 215C are specially designed for vehicle from car to truck, with heavy-duty steel construction



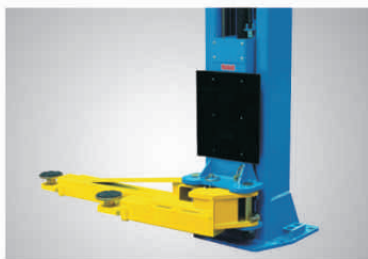
Single-point Safety Release

The release lever (next to the power unit) is pulled down to release the locks on both columns from one column. It is more efficient, more reliable, and safer than the dual safety release



EXCLUSIVE FEATURE !

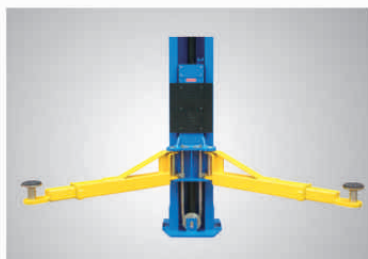
The stackable rubber pads assembly with 1.5", 2.5", 5" extension adapters



(211C/211CH)

EXCLUSIVE FEATURE !

Both asymmetric and symmetric arms for model 211C、211CH

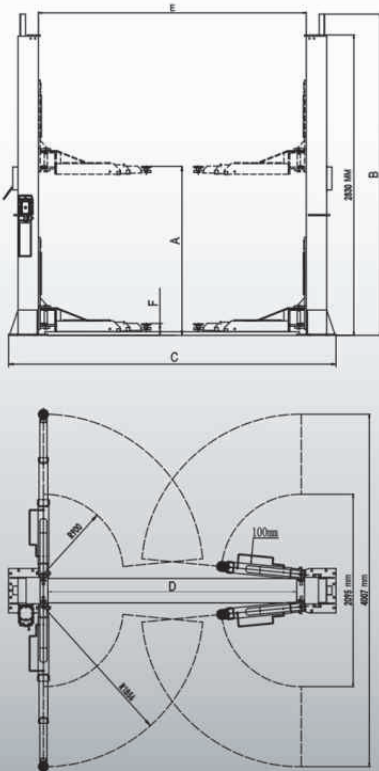


(212C/215C)

Hydraulic direct-driven cylinders, Automatic arms restraints, Protect rubber door guards, Self-lubricated sliders...make PEAK Heavy-duty line of two post lifts with many advanced features and work reliably.

SPECIFICATIONS

Model	Style	Lifting Capacity	Lifting Time	A	B	C	D	E	F	Gross Weight	Motor
				Lifting Height	Overall Height	Overall Width	Drive-Thru Clearance	Width Between Columns	Minimum Pad Height		
211C	Clearfloor Direct-driven	5.0 T (11,000 lbs.)	55 Seconds	1842-2071mm (72 1/2" - 81 1/2")	3635/3735mm (143 1/8"/147")	3492 mm (137 1/2")	2445 mm (96 1/4")	2800 mm (110 1/4")	115 mm (4 1/2")	865Kg (1,906 lbs)	3.0HP
211CH	Clearfloor Direct-driven	5.0 T (11,000 lbs.)	55 Seconds	1842-2071mm (72 1/2" - 81 1/2")	3812/4245/4345 mm (150"/167 1/8"/171")	3492 mm (137 1/2")	2445 mm (96 1/4")	2800 mm (110 1/4")	115 mm (4 1/2")	891Kg (1,965 lbs)	3.0HP
212C	Clearfloor Direct-driven	5.5 T (12,000 lbs.)	55 Seconds	1842-2071mm (72 1/2" - 81 1/2")	3812/4192/4497 mm (150"/165"/177")	3829 mm (150 3/4")	2787 mm (109 3/4")	3137 mm (123 1/2")	115 mm (4 1/2")	966Kg (2,129 lbs)	4.0HP
215C	Clearfloor Direct-driven	6.8 T (15,000 lbs.)	72 Seconds	1872-2101mm (73 3/4" - 82 3/4")	3812/4192/4497 mm (150"/165"/177")	3829 mm (150 3/4")	2787 mm (109 3/4")	3137 mm (123 1/2")	145 mm (5 3/4")	1051Kg (2,317 lbs)	4.0HP



FEATURES

- 12,000 Lb. Capacity
- Dual hydraulic cylinders, designed and made on ANSI standards, high quality NOK seals
- 3/8" aircraft quality cable is used for synchronization
- Self-lubricating UHMW Polyethylene sliders and bronze bush
- Single-point safety release
- Automatic arm restraints
- Width adjustment: Distance between columns 3137mm(123 1/2") and 3000mm(118 1/8")
- Stackable rubber pads with 1.5", 2.5" and 5" adapters for truck
- Heavy duty design



▲ PEAK heavy-duty base plate lifts use 4 three-stages arms. The three stages arms are fitted for short or long axle vehicle.

SPECIFICATIONS

Model	Style	Lifting Capacity	Lifting Time	A	B	C	D	E	F	Gross Weight	Motor
				Lifting Height	Overall Height	Overall Width	Drive-Thru Clearance	Width Between Columns	Minimum Pad Height		
212	Floorplate Chain-drive	5.5 T (12,000 lbs.)	55 Seconds	1860-2089mm (73 1/4" - 82 1/4")	3110mm (122 1/2")	3692/3829mm (145 3/8"-150 3/4")	2653/2790mm (104 1/2"/110")	3000/3137 mm (118 1/8"-123 1/2")	120mm (4 3/4")	975Kg (2,150 lbs)	4.0HP

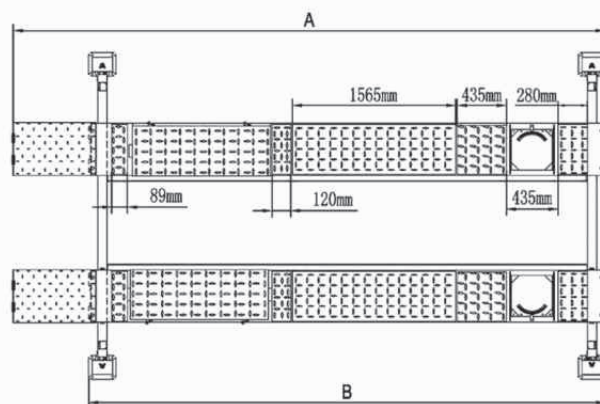
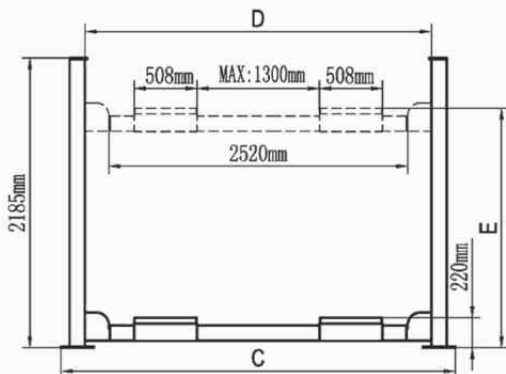
MODEL 409A 412A

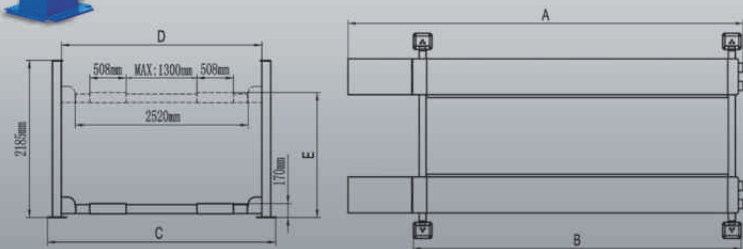
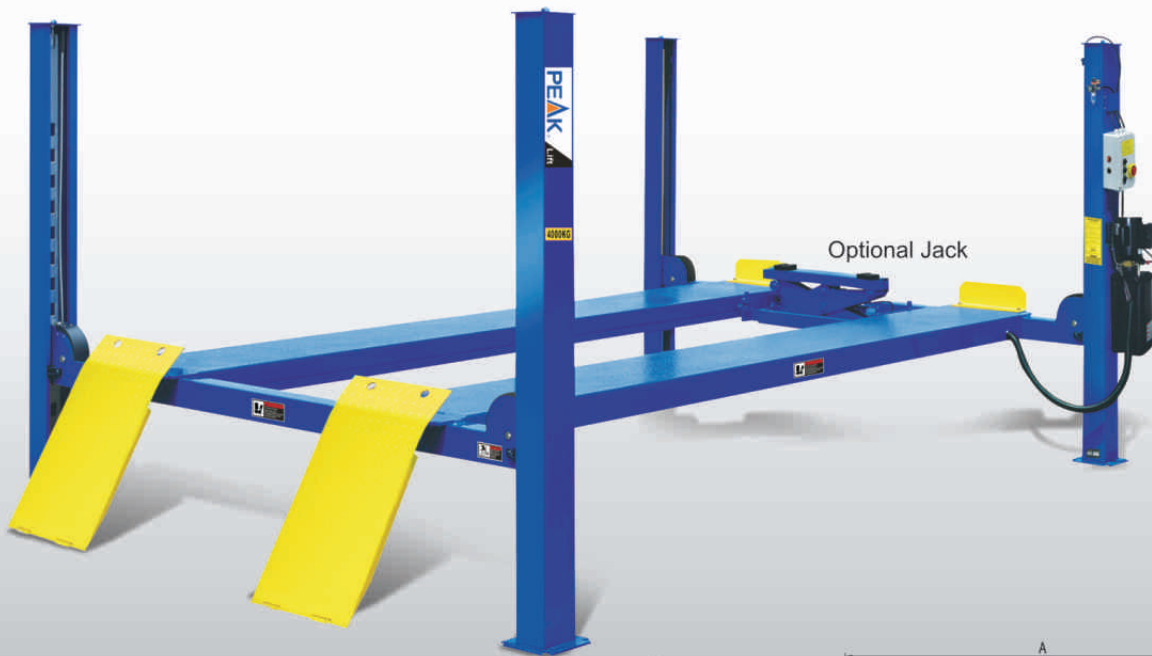
Alignment Four-post Lift



FEATURES

- Electro-air control operation system
- Mechanical self-lock and air-driven safety release
- Electrical hydraulic power system, cable-driven
- Skid proof diamond platform
- Two adjustable turntable positions to fit the different wheel base
- Adjustable platform and adjustable safety lock ladders
- Dual safety device: In case the primary safety locks are out of operation, the lift would also be locked automatically by a second safety device





FEATURES

- Electro-air control operation system
- Mechanical self-lock and air-driven safety release
- Electric hydraulic power system, cable-driven
- Sand finish platform
- Adjustable platform and adjustable safety lock ladders
- Dual safety device: In case the primary safety locks are out of operation, the lift would also be locked automatically by a second safety device

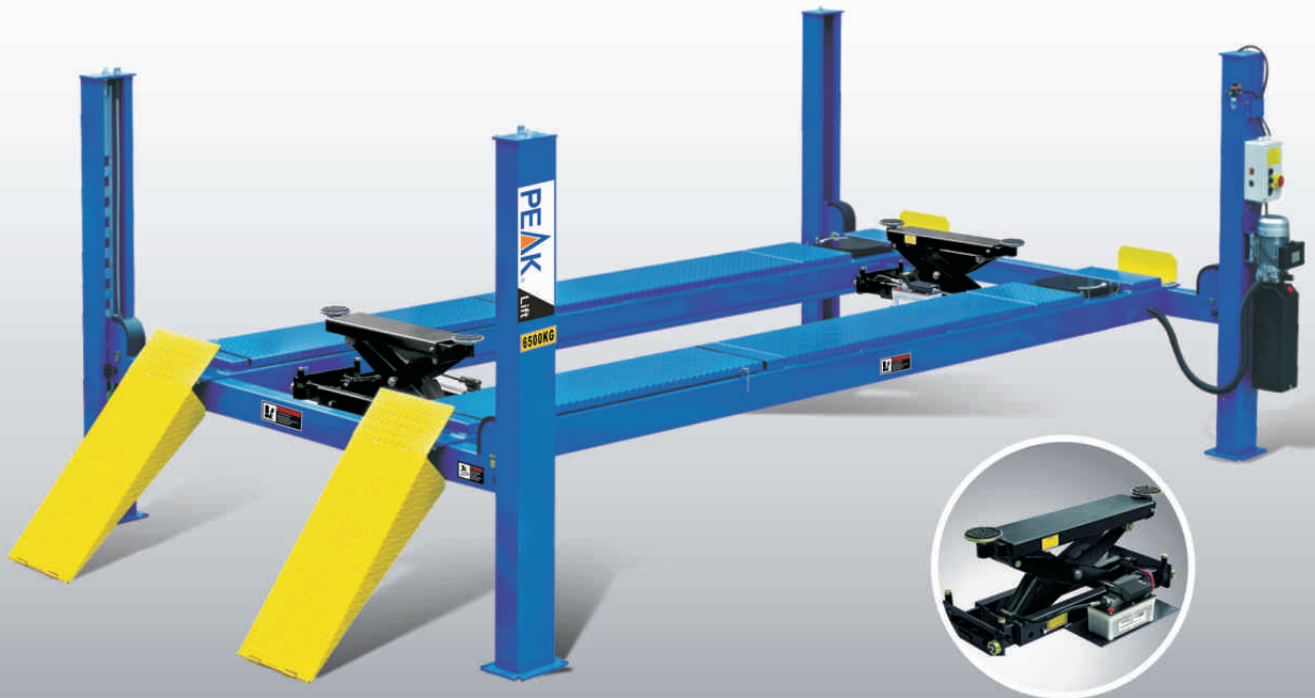
SPECIFICATIONS

Model	Lifting Capacity	Lifting Time	A	B	C	D	E	Gross Weight	Motor
			Overall Length (Inc. Ramps)	Overall Length (No Ramps)	Overall Width	Width Between Columns	Lifting Height		
409A	4.0T (9,000 lbs.)	45 Seconds	5512mm (217")	4600 mm (181 1/8")	3208 mm (126-1/4")	2852 mm (112-1/4")	1915mm (75 3/8")	1155Kg (2,546 lbs)	3.0HP
409	4.0T (9,000 lbs.)	45 Seconds	5512mm (217")	4600 mm (181 1/8")	3208 mm (126-1/4")	2852 mm (112-1/4")	1865mm (73 1/2")	945Kg (2,083 lbs)	3.0HP
412A	5.5T (12,000 lbs.)	60 Seconds	6012 mm (236 5/8")	5100 mm (200 3/4")	3208 mm (126-1/4")	2852 mm (112-1/4")	1915mm (75 3/8")	1320Kg (2,910 lbs)	4.0 HP
412	5.5T (12,000 lbs.)	60 Seconds	6012 mm (236 5/8")	5100 mm (200 3/4")	3208 mm (126-1/4")	2852 mm (112-1/4")	1865mm (73 1/2")	1080Kg (2,381 lbs)	4.0 HP

MODEL 414A

Alignment Four-post Lift

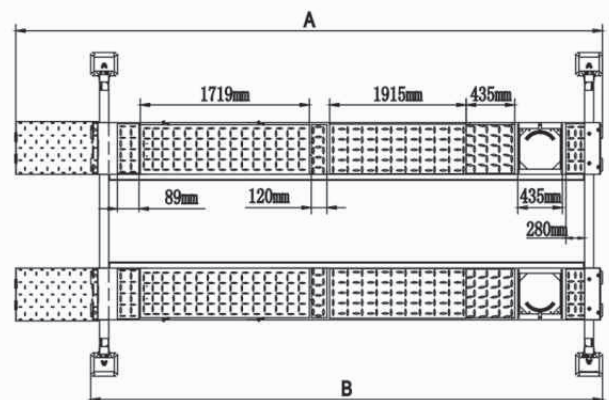
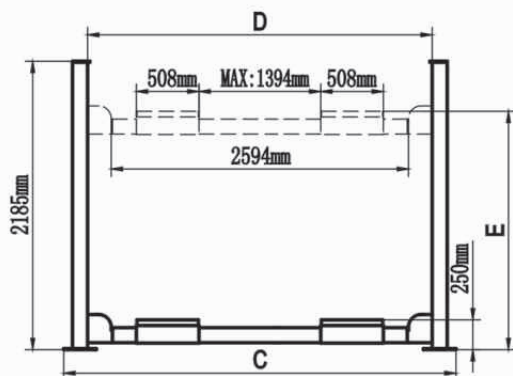
Peak heavy-duty four post lift can raise 14,000 lbs in just 60 seconds...
Stronger and Faster!

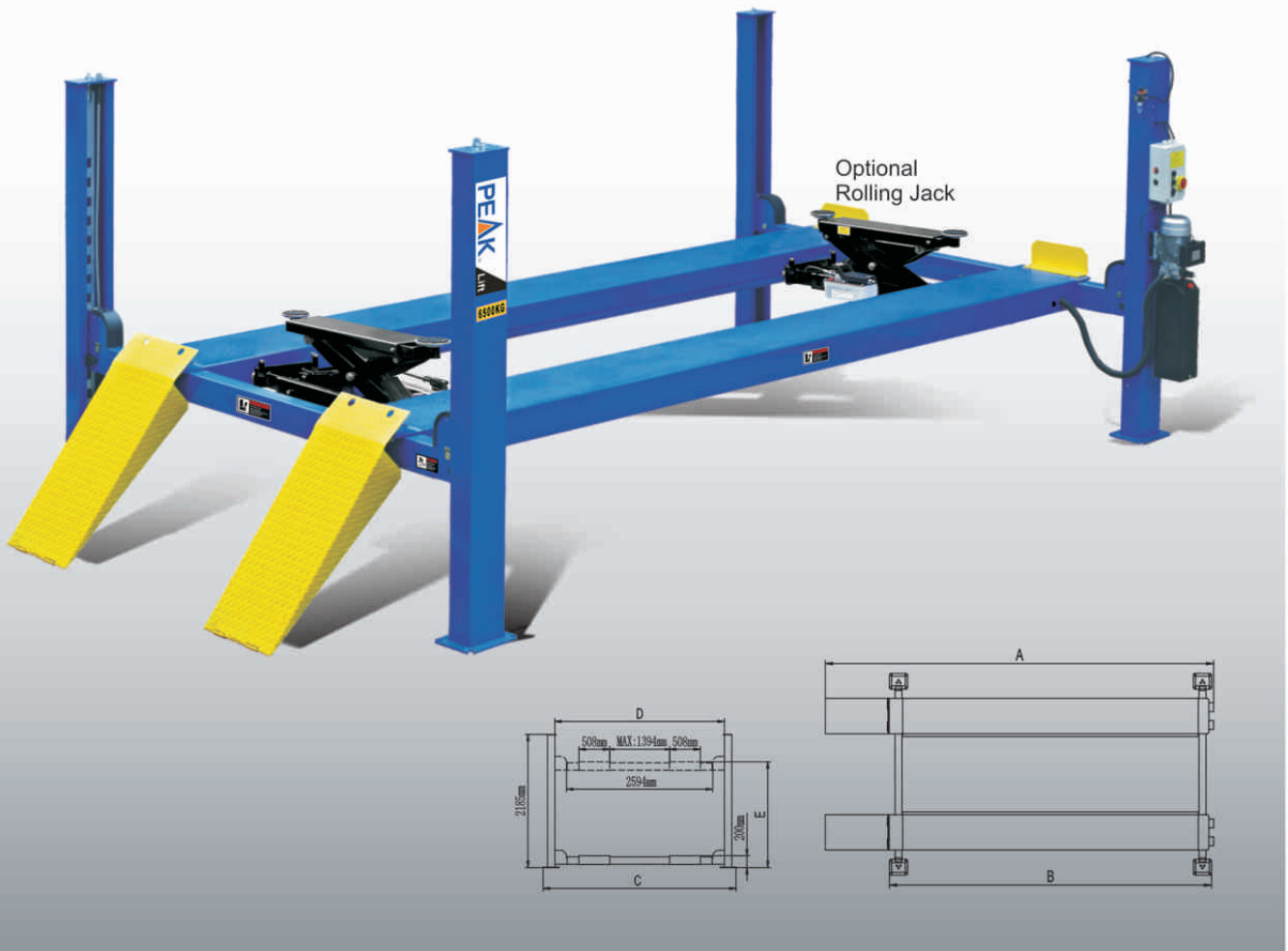


Optional Jack J6A with SPX air pump
1.5" and 2.5" extension adaptors included

FEATURES

- Electric-air control operation system
- Mechanical self-lock and air-driven safety release
- Electrical hydraulic power system, cable-driven
- Skid proof diamond platform
- Two adjustable turntable positions to accommodate different wheel base
- Adjustable platform and adjustable safety lock ladders
- Dual safety device: In case the primary safety locks are out of operation, the lift would also be locked automatically by a second safety device





FEATURES

- Electric-air control operation system
- Mechanical self-lock and air-driven safety release
- Electrical hydraulic power system, cable-driven
- Sand finish platform
- Adjustable platform and adjustable safety lock ladders
- Dual safety device: In case the primary safety locks are out of operation, the lift would also be locked automatically by a second safety device

SPECIFICATIONS

Model	Lifting Capacity	Lifting Time	A	B	C	D	E	Gross Weight	Motor
			Overall Length (Inc. Ramps)	Overall Length (No Ramps)	Overall Width	Width Between Columns	Lifting Height		
414	6.5T (14,000 lbs.)	60 Second	6541 mm (257 1/2")	5500 mm (216 1/2")	3324 mm (130 7/8")	2946 mm (116")	1865mm (73 1/2")	1250Kg (2,756 lbs)	4.0 HP
414A	6.5T (14,000 lbs.)	60 Second	6528 mm (257")	5500 mm (216 1/2")	3324 mm (130 7/8")	2946 mm (116")	1915mm (75 3/8")	1506Kg (3,320 lbs)	4.0 HP

409 409A 412 412A 414 414A

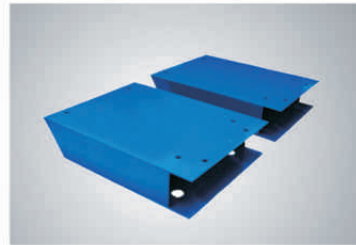
As another line of PEAK family,our four post lifts share the same name of quality,longevity,safety and with more flexible option.



EXCLUSIVE FEATURE !

Electric control device With **UP**, **LOCK** and **DOWN** buttons

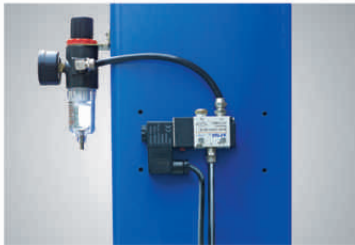
With C.E. stop switch at 300 mm from ground and alarm tone when lowering down from 300 mm to ground make the lift more safety.



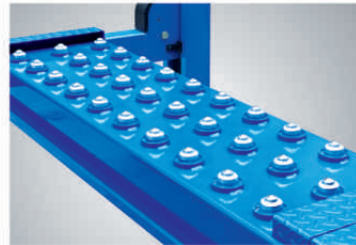
Optional

Extension platform for 409, 412, 414 to add the length of platform up to 610mm(24")

Extension kits for 414/414A:#41401
Extension kits for 409/409A,412/412A:#40901



Oil-water separator and Solenoid air valve are installed outside the control box



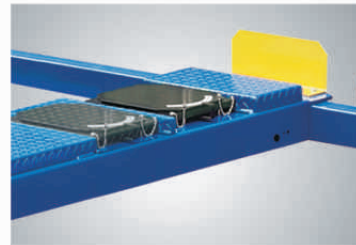
New rear-slip ball sets



Optional Air Line Kits

All peak four post lifts are designed to use the air line kits for rolling jack.

kits No. :40102



Double rotary bits design
Meet different wheelbase



Optional

J6E: electric hydraulic type 2.8 T
J6H: manual hydraulic type 2.8 T
J6A: pneumatic hydraulic type 2.8 T
RJ - 7A: pneumatic hydraulic type 3.2 T



Optional Turnplate

Each alignment lift need one set (two pcs.) of turnplates

kits No. :40101

MODEL PX09A

Professional Alignment Scissors Lift



PEAK[®] Lift

PEAK Scissors lifts, the same as PEAK other lifts, adhere to the principle of safety, durability, convenience and best performance. By the strict control of design, material-selection, manufacturing and examination, assure PEAK Scissors lifts offer you the best quality.

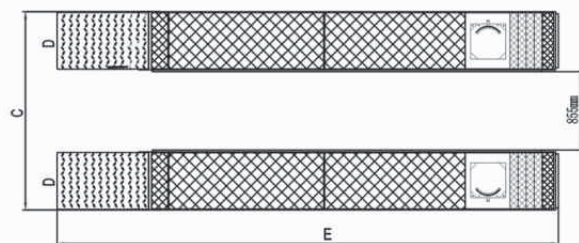
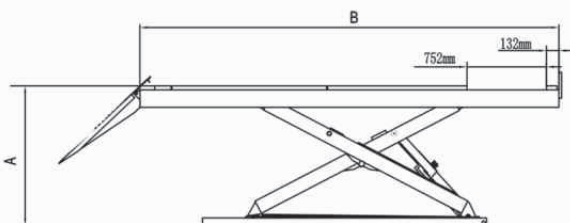


Optional Jack J6A with SPX air pump
1.5" and 2.5" extension adapters included



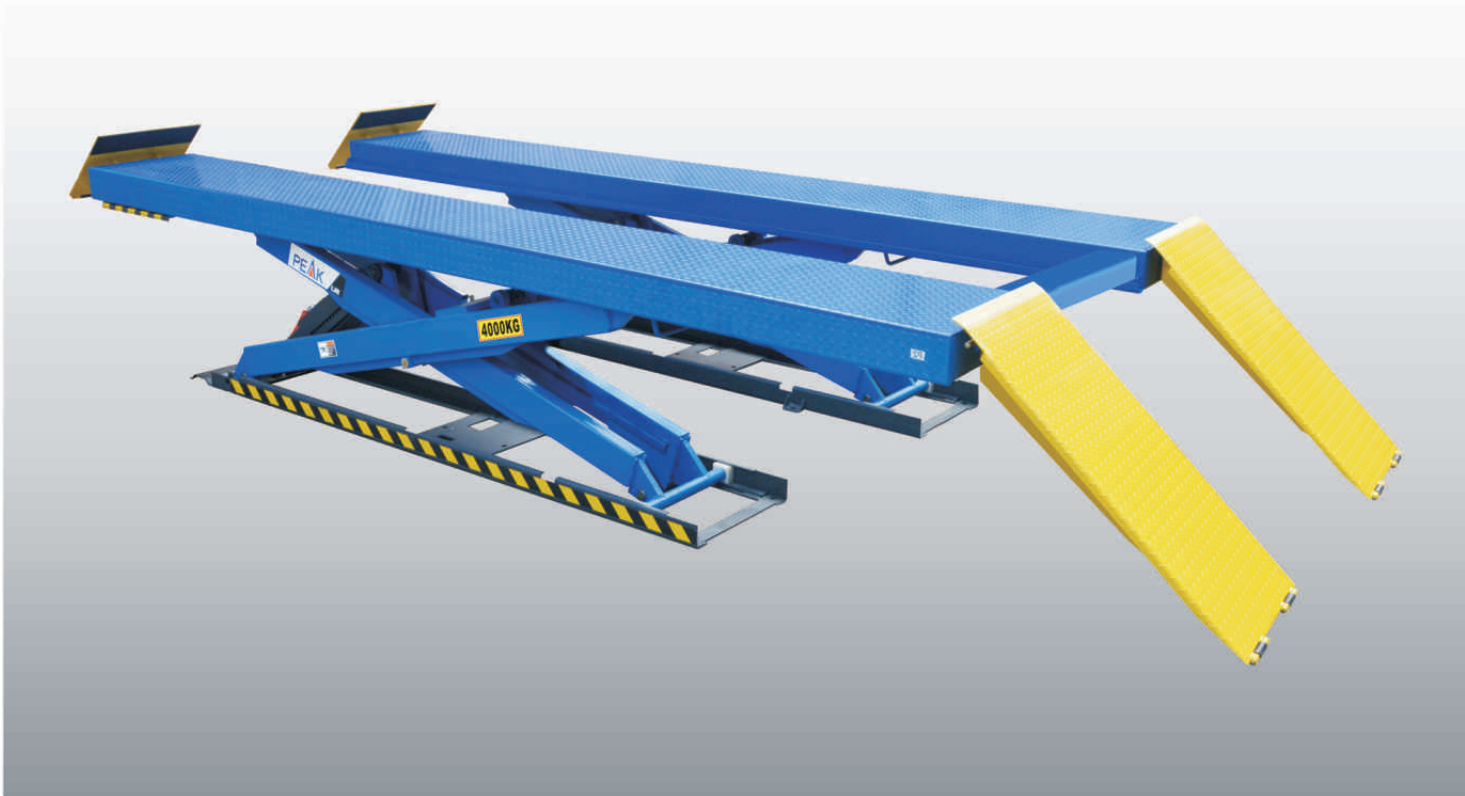
FEATURES

- Dual synchronous cylinders are applied to assure the lifting level on both platforms
- Electro-air control system, mechanical safety locks
- Skid proof diamond runway
- Integrated rear slip-plates
- Heavy duty design, the X serial scissors lifts use 150*75mm tube to make it strong and assure the runways remain level during working



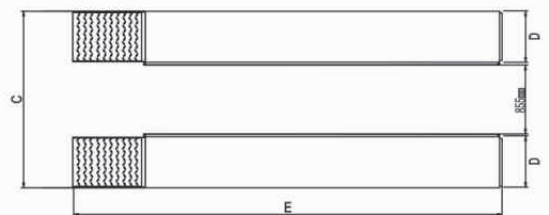
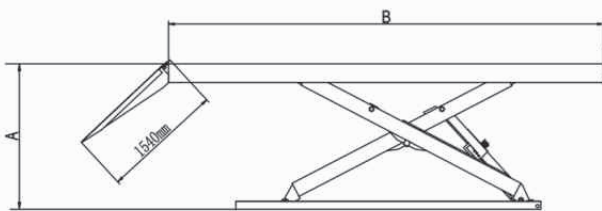
MODEL PX09

Professional Non-alignment Scissors Lift



FEATURES

- Dual synchronous cylinders are applied to assure the lifting level on both platforms
- Electro-air control system, mechanical safety locks
- Sand resistance platform to avoid skidding
- Heavy duty design, the X serial scissors lifts use 150*75mm tube to make it strong and assure the runways remain level during working



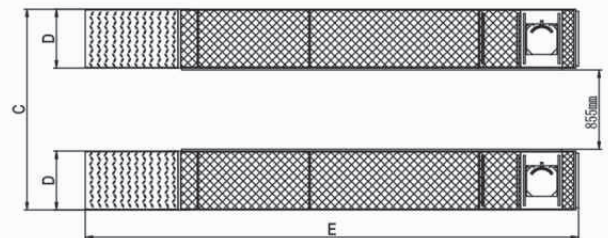
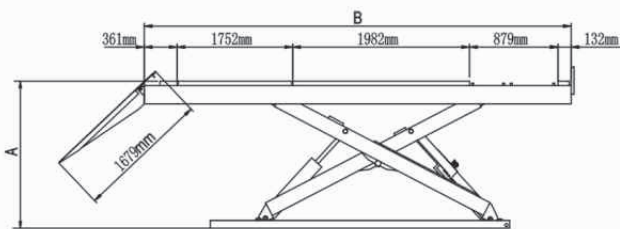
SPECIFICATIONS

Model	Lifting Capacity	Lifting Time	A		B	C	D	E	Gross Weight	Motor
			Lifting Height	Minimum Height	Runway Length	Overall Width	Runway Width	Overall Length (Inc. Ramps)		
PX09A	4.0T (9,000 lbs)	55 Seconds	1870mm (73 5/8")	300mm (11 3/4")	4700 mm (185")	2190 mm (86 1/4")	625 mm (24 5/8")	6236mm (245 1/2")	2116Kg (4,665 lbs)	3.0HP
PX09	4.0T (9,000 lbs)	55 Seconds	1870mm (73 5/8")	300mm (11 3/4")	4700 mm (185")	2190 mm (86 1/4")	625 mm (24 5/8")	6466mm (254 5/8")	1797Kg (3,961 lbs)	3.0HP



FEATURES

- 2-dual synchronous cylinders are applied to assure the lifting level on both platforms
- Electro-air control system, safety self-lock mechanism
- Skid proof diamond runway
- Integrated rear slip-plates
- Heavy duty design, the X serial scissors lifts use 150*75mm tube to make it strong and assure the runways remain level during working
- Optional Jack



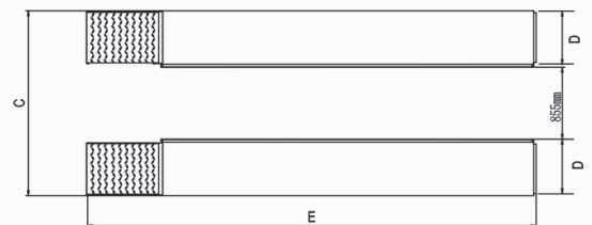
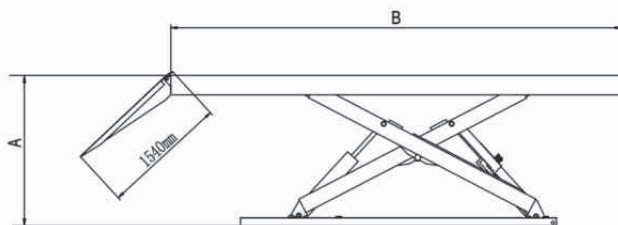
MODEL PX12

Professional non-alignment Scissors Lift



FEATURES

- 2-dual synchronous cylinders are applied to assure the lifting level on both platforms
- Electro-air control system, safety self lock mechanism
- Sand resistance platform to avoid skidding
- Heavy duty design, the X serial scissors lifts use 150*75mm tube to make it strong and assure the runways remain level during working
- Optional Jack



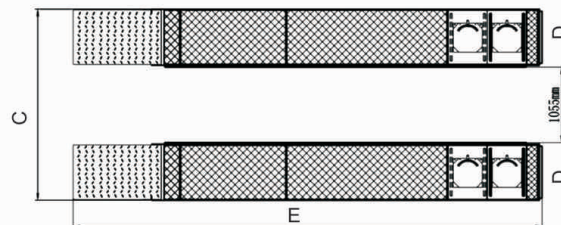
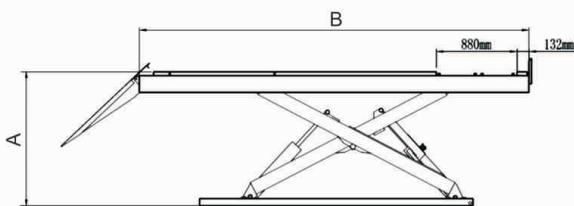
SPECIFICATIONS

Model	Lifting Capacity	Lifting Time	A		B	C	D	E	Gross Weight	Motor
			Lifting Height	Minimum Height	Runway Length	Overall Width	Runway Width	Overall Length (Inc. Ramps)		
PX12A	5.5 T (12,000 lbs.)	58 Seconds	1870mm (73 5/8")	300mm (11 3/4")	5018 mm (197 1/2")	2290mm (90 1/8")	625 mm (24 5/8")	6554mm (258")	2616Kg (5,767 lbs)	4.0HP
PX12	5.5T (12,000 lbs.)	58 Seconds	1870mm (73 5/8")	300mm (11 3/4")	5018 mm (197 1/2")	2290mm (90 1/8")	625 mm (24 5/8")	6784mm (267")	2259Kg (4,980 lbs)	4.0HP



FEATURES

- 2-dual synchronous cylinders are applied to assure the lifting level on both platforms.
- Electro-air control system, safety self-lock mechanism.
- Skid proof diamond runway.
- Integrated rear slip-plates.
- Heavy duty design, the X serial scissors lifts use 150 x75 mmtube to make it strong and assure the runways remain level during working.
- Optional Jack and Turnplate.



SPECIFICATIONS

Model	Lifting Capacity	Lifting Time	A		B	C	D	E	Gross Weight	Motor
			Lifting Height	Minimum Height	Runway Length	Overall Width	Runway Width	Overall Length (Inc. Ramps)		
PX16A	7.3T (16,000 lbs)	82 Seconds	1870mm (73 5/8")	330mm (13")	5428mm (213 3/4")	2390mm (94 1/8")	625mm (24 5/8")	6964mm (274 1/8")	2880Kg (6,349 lbs)	4.0HP

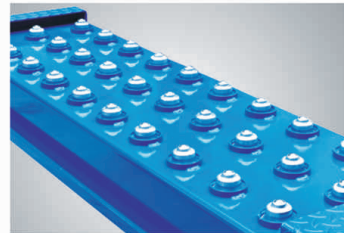
MODEL PX09 PX09A PX12 PX12A PX16A

Optional Alignment Scissors Lift

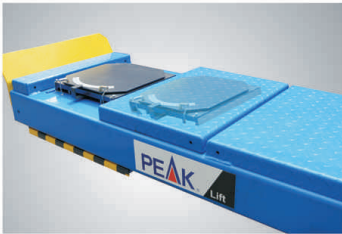
The heavy-duty scissors lifts use four cylinders to support and each twin cylinders are designed working synchronously.



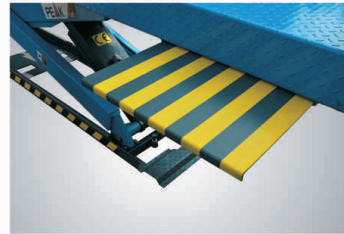
▲ Electric-air Safety Device



▲ New rear-slip ball sets



▲ Dual turnplates design meet different wheelbase vehicles using, only for PX12A,PX16A



▲ Shelf For Service



▲ Top plate extension accessory (options)

PX09/PX12: NO. PX001
 PX09A/PX12A: NO. PX002
 PX16A: NO. PX003



▲ Pneumatic accessories (# PX004)
 Big cut pneumatic accessories all use quick joint connection, the operation is simple and convenient, solved the problem of the trachea mop the floor.



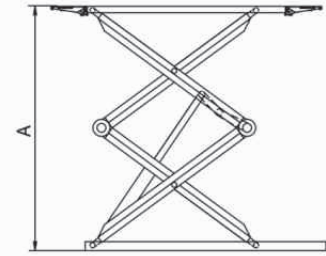
▲ Secondary lifter (options) :
 J6H: manual hydraulic type 2.8 T
 J6A: pneumatic hydraulic type 2.8 T
 RJ - 7A: pneumatic hydraulic type 3.2 T
 RJ-8A;pneumatic hydraulic type 3.5 T



▲ Optional Turnplate

FEATURES

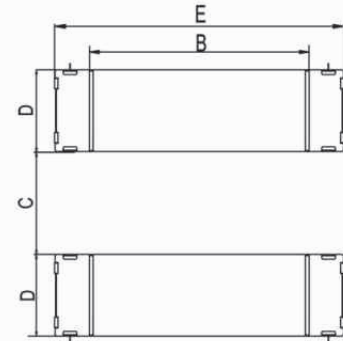
- 2-Dual synchronous cylinders are applied to assure the lifting level on both platforms
- Automatic safety device controlled electrically. No air needed
- **Hydraulic safety locks system instead of the mechanical safety locks**
- Hydraulic equalization for easy access between ramps
- Electrical control system operated by Up or Down button
- Low profile design. The closed height is only 115 mm



Dual synchronous cylinders



Optional: Leveling bar&kits



The SX07 is equipped with the safety stop device at the height of 300mm, two control buttons are needed to lower down the lift from 300mm to ground with tone alarm for safety.

The SX07 is designed on the C.E.2010 version EN1493

SPECIFICATIONS

Model	Lifting Capacity	Lifting Time	A		B	C	D	E	Gross Weight	Motor
			Lifting Height	Minimum Height	Runway Length	Width Between Runways	Runway Width	Overall Length (Inc Ramps)		
SX07	3.0 T (7,000 lbs.)	40 Seconds	2000mm (78 3/4")	115mm (4 1/2")	1608mm (63 1/4")	750 mm (29 1/2")	600 mm (23 5/8")	2028mm (79 3/4")	875Kg (1,929 lbs)	3.0HP

MODEL SX08F

Flush-mount Scissors Lift

FEATURES

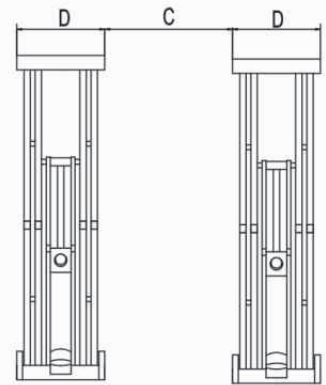
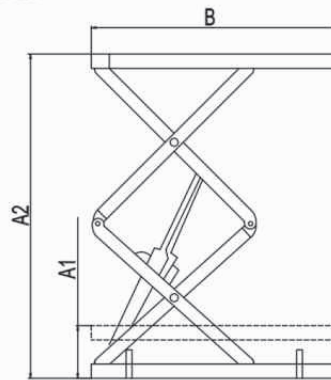
- Electric/Hydraulic power system
- Dual synchronous cylinders are applied to assure the lifting level on both platforms
- Platforms are designed to be extended. It is suited for most of the car
- Automatic safety device. The safety release is operated by air cylinders
- Electric-air control cabinet
- Hydraulic equalization, No torsion bar need



Automatic Safety Device



Extended Platforms



SPECIFICATIONS

Model	Lifting Capacity	Lifting Time	A		B	C	D	Gross Weight	Motor
			Lifting Height	Minimum Height	Overall Length	Width Between Runways	Runway Width		
SX08F	3.5T (8,000 lbs)	51 Seconds	2230mm (87 3/4")	350mm (13 3/4")	1550-1750mm (61"- 68 7/8")	800 mm (31 1/2")	550 mm (21 5/8")	846Kg (1,865 lbs)	3.0HP

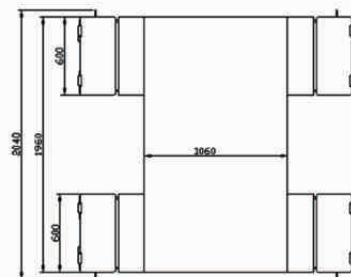
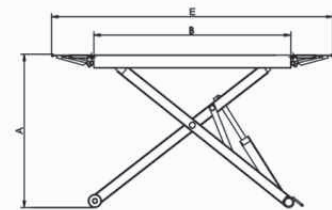


The photo show with the optional base plate

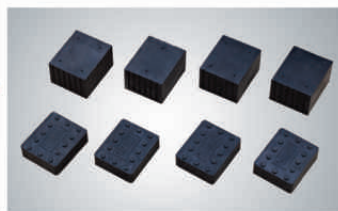
Peak new mid-rised scissors lift model EM06 is designed with dual mechanical locks released automatically on Peak innovative technology.

The EM06 is equipped with the safety stop device at 300 mm from ground, two buttons control and tone alarm lowered from 300 mm to ground for safety.

The EM06 is designed on the C.E. August 2010 Version EN1493.



The Optional Wheel Dolly Used To Move The Scissors Lift



Both 1 1/2" And 3" Height Rubber Pads Included As Standard Supply

SPECIFICATIONS

Model	Lifting Capacity	Lifting Time	A	B	C	D	E	Gross Weight	Motor
			Lifting Height	Runway Length	Overall Width	Runway Width	Overall Length (Inc Ramps)		
EM06	2.8T (6,000 lbs.)	23 Seconds	1060mm (41 3/4")	1460 mm (57 1/2")	1960 mm (77 1/8")	600mm (23 5/8")	2030mm (80")	587Kg (1,294 lbs)	2.0/3.0HP

MODEL MR06

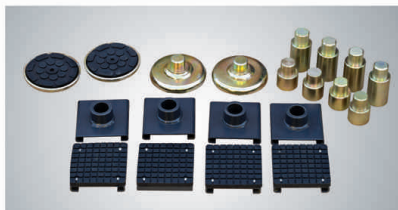
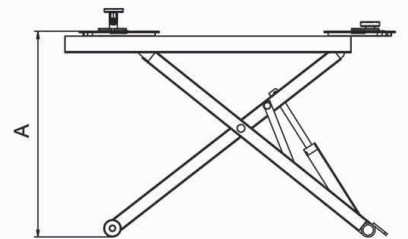
Portable Mid - rised Lift

The Mid-rise lift is an excellent choice for low ceiling or adding a bay for seasonal increases in business. Provides good working height for tires, brakes and body repairs

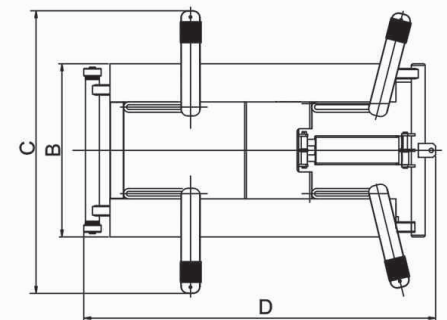


FEATURES

- Automatic release safety locks
- Automatic safety lock release
- Portable design: It is easy to move the unit with the power unit stand
- Two hydraulic cylinders
- High speed: From 0-1090 mm (43") in just 32 seconds
- Standard adapter kits included



This 20-pieces adapter kits come standard with the MR06



SPECIFICATIONS

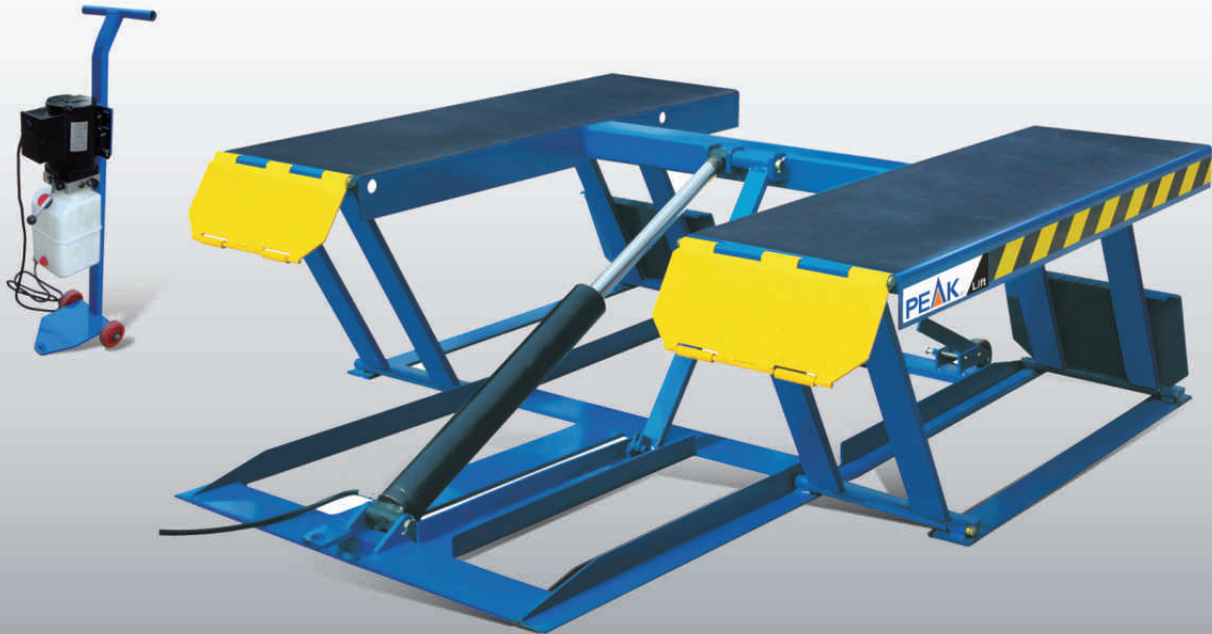
Model	Lifting Capacity	Lifting Time	A		B	C	D	Gross Weight	Motor
			Lifting Height	Minimum Height	Platform Width	Swing Width	Overall Length		
MR06	2.8T (6,000 lbs)	32 Seconds	1090 mm (43")	125 mm (5")	1000 mm (39 3/8")	1604 mm (63 1/8")	1885 mm (74 1/4")	360Kg (793 lbs)	1.5HP

MODEL LR06

Portable Low- rised Lift



PEAK[®]Lift

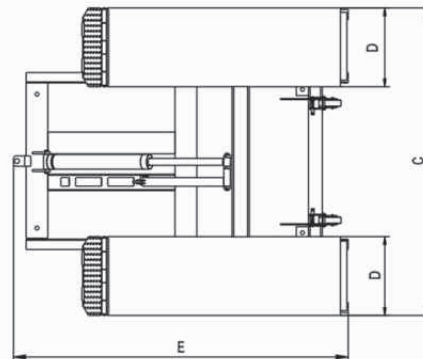
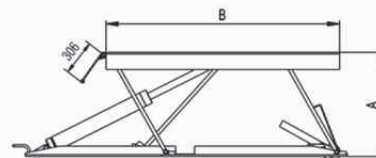


FEATURES

- Automatic release safety locks
- Mechanical safety lock release
- Portable unit is easy to move with the power unit stand
- High speed: From 0-600 mm (23-5/8") in just 38 seconds
- Standard rubber pads included



Rubber Lift Pads

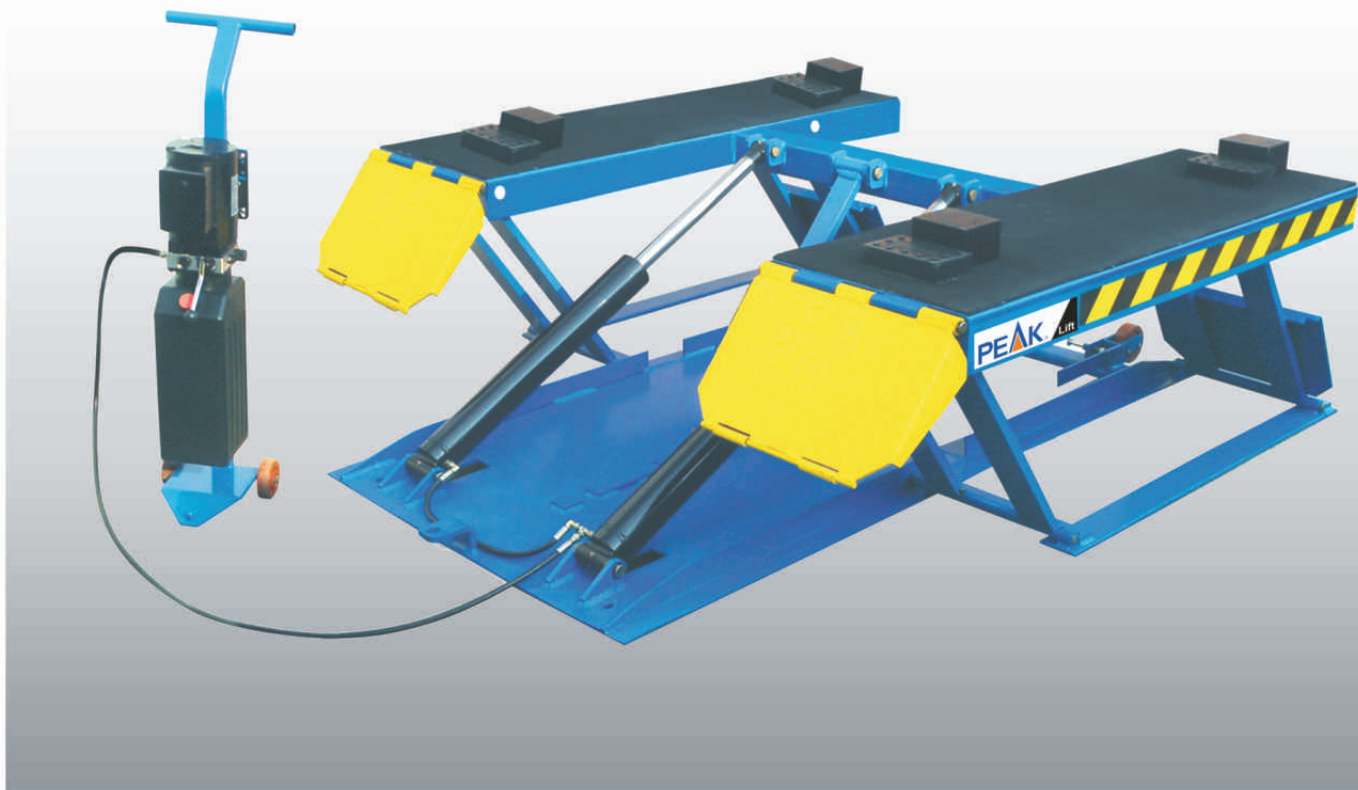


SPECIFICATIONS

Model	Lifting Capacity	Lifting Time	A		B	C	D	E	Gross Weight	Motor
			Lifting Height	Minimum Height	Runway Length	Overall Width	Runway Width	Overall Length		
LR06	2.8 T (6,000 lbs.)	38 Seconds	600 mm (23 5/8")	105 mm (4 1/8")	1352 mm (53 1/4")	1780 mm (70")	456 mm (18")	1938 mm (76 1/4")	368Kg (811 lbs)	1.5HP

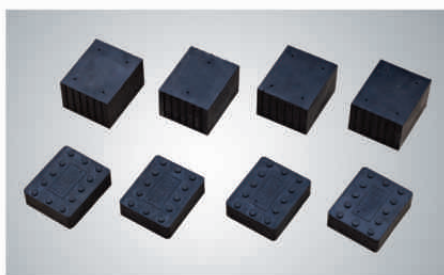
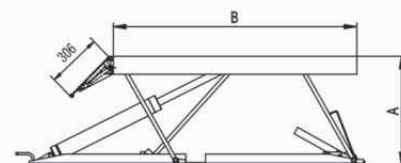
MODEL LR10

Portable Low- rised Lift



FEATURES

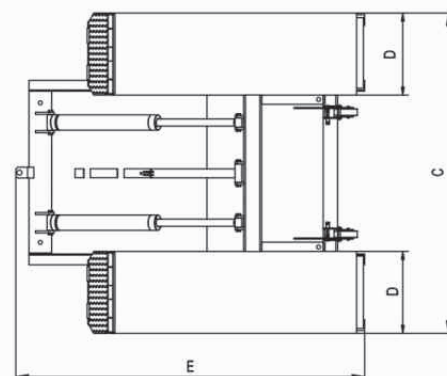
- Automatic release safety locks
- Mechanical safety lock release
- Portable unit is easy to move with the power unit stand
- High speed: From 0-600 mm (23-5/8") in just 30 seconds
- Standard rubber pads included



Both 1 1/2" and 3" height Rubber Pads



Extension Ramp



SPECIFICATIONS

Model	Lifting Capacity	Lifting Time	A		B	C	D	E	Gross Weight	Motor
			Lifting Height	Minimum Height	Runway Length	Overall Width	Runway Width	Overall Length		
LR10	4.5 T (10,000 lbs.)	30 Seconds	600 mm (23 5/8")	105 mm (4 1/8")	1352 mm (53 1/4")	1780 mm (70")	456 mm (18")	1938 mm (76 1/4")	456Kg (1,005 lbs)	2.0/3.0HP



PEAK CORPORATION

A2-A3 Xin'gui Industrial Area, Yanbu, Nanhai District,
Foshan (528247), China

Tel: 86-757-81102805 81102815

Fax: 86-757-81102809

Email: peak@peaklift.cn

<http://www.peaklift.cn>